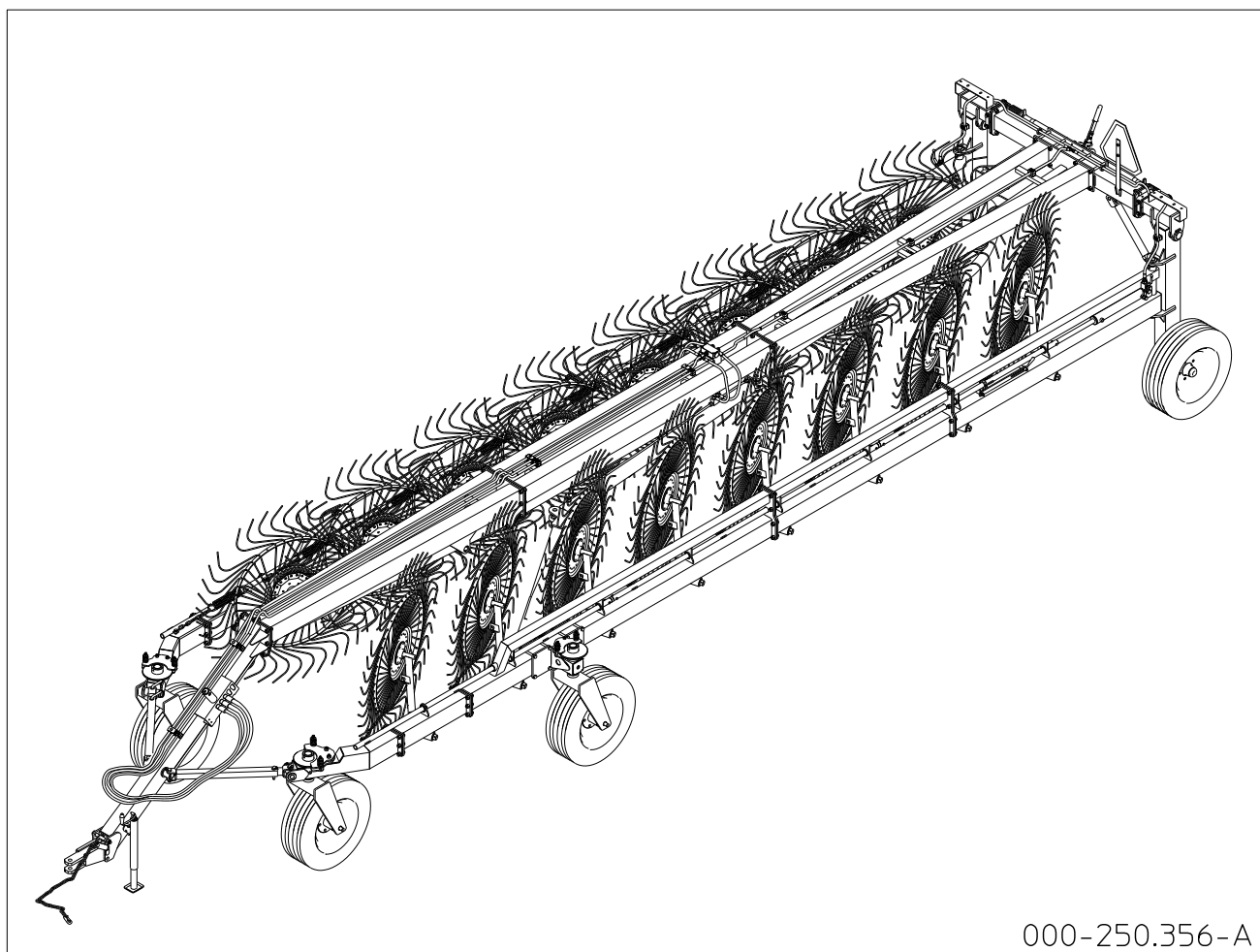




AGRICULTURAL MACHINERY

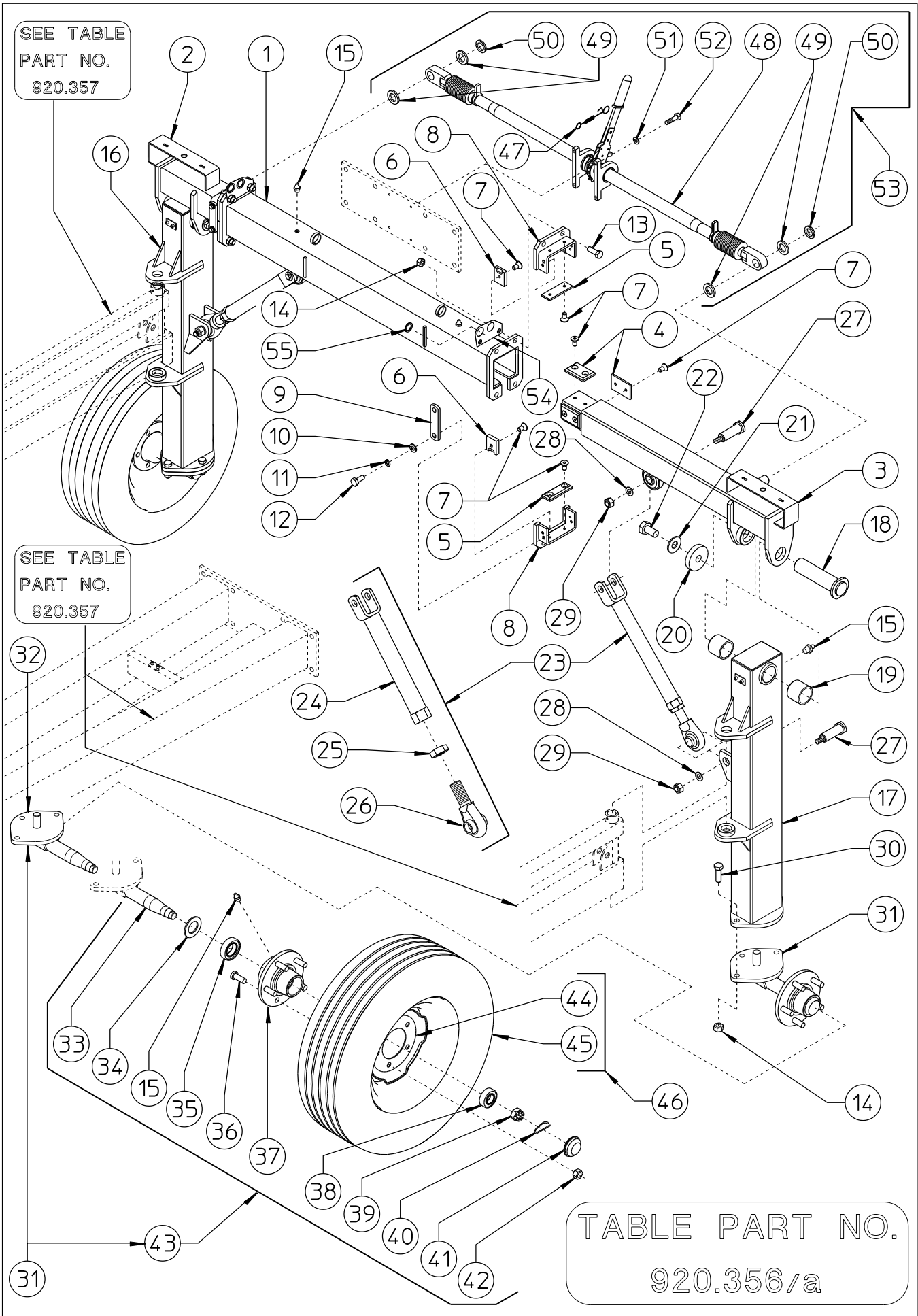
**sitrex**®  
Spa

## SPARE PARTS LIST



**MKE/14-16**

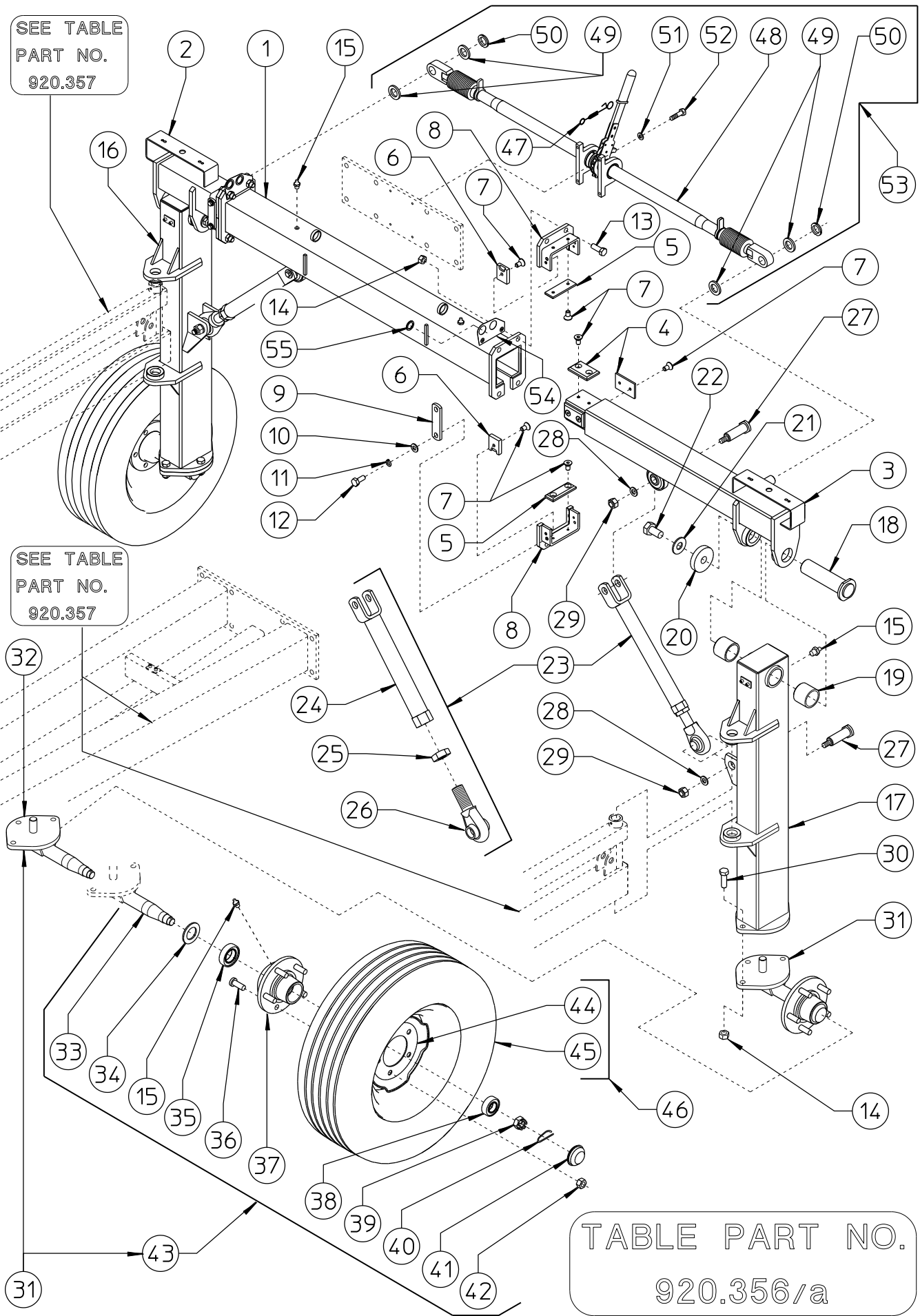
**09-2016**



**TABLE PART NO 920.356/a - REAR PART (14-16 WHEELS)**

<b>ITEM</b>	<b>Q.ty MKE/14</b>	<b>Q.ty MKE/16</b>	<b>SITREX PART NO</b>	<b>DESCRIPTION</b>	<b>NOTE</b>
1	1	1	220.177	OUTER CROSSPIECE	
2	1	1	250.211	RH CROSSPIECE	
3	1	1	250.212	LH CROSSPIECE	
4	8	8	210.858	SLIDING	
5	4	4	210.911	SLIDING	
6	8	8	210.912	SLIDING	
7	32	32	610.663	SCREW M8 x 16 DIN 7991 8.8	
8	4	4	220.042	SLIDING SUPPORT	
9	4	4	220.043	LINKING PLATE	
10	8	8	600.322	WASHER D 10,5 DIN 433	
11	8	8	600.024	SPRING WASHER D 10.5 DIN 127B	
12	8	8	600.006	SCREW M10 X 25 DIN 933 8.8	
13	8	8	610.167	SCREW M16 X 45 DIN 933 8.8	
14	14	14	600.080	NUT M16 DIN 980	
15	6	6	600.034	GREASE NIPPLE M8	
16	1	1	250.213	REAR WHEEL SUPPORT,RH	
17	1	1	250.214	REAR WHEEL SUPPORT,LH	
18	2	2	210.100	PIN $\phi$ 50	
19	4	4	200.199	NYLON BUSH $\phi$ 50-60	
20	2	2	200.822	WASHER $\phi$ 23-75 x 12	
21	2	2	600.214	SPRING WASHER $\phi$ 23 DIN 127 B	
22	2	2	600.150	SCREW M22 X 50 DIN 933 8.8	
23	2	2	250.215	TIE ROD, COMPLETE	
24	2	2	250.216	TIE ROD PIPE	
25	2	2	610.813	NUT M30 DIN 936	
26	2	2	250.217	TIE ROD HEAD	
27	4	4	250.218	PIN $\phi$ 25	
28	4	4	600.845	WASHER $\phi$ 12-36x4	
29	4	4	600.077	NUT M12 DIN 980	
30	6	6	600.384	SCREW M16 X 50 DIN 933 8.8	

SEE TABLE  
PART NO.  
920.357



SEE TABLE  
PART NO.  
920.357

TABLE PART NO.  
920.356/a

**TABLE PART NO 920.356/a - REAR PART (14-16 WHEELS)**

<b>ITEM</b>	<b>Q.ty MKE/14</b>	<b>Q.ty MKE/16</b>	<b>SITREX PART NO</b>	<b>DESCRIPTION</b>	<b>NOTE</b>
31	2	2	250.219	HUB ASSY	
32	2	2	250.220	FLANGE WITH PIN	
33	2	2	215.781	PIN ONLY	
34	2	2	600.284	DUST COVER	
35	2	2	600.285	BEARING 30208	
36	10	10	610.413	SCREW M16x1,5x50	
37	2	2	600.286	HUB WITH SCREWS	
38	2	2	600.287	BEARING 30206	
39	2	2	600.288	CASTLE NUT M27 X 1,5	
40	2	2	600.291	SPLIT PIN $\phi$ 3	
41	2	2	600.290	CAP	
42	10	10	600.289	NUT M16x1,5	
43	2	2	215.782	HUB WITHOUT FLANGE	
44	2	2	600.304	RIM 6Jx15	
45	2	2	600.303	TIRE 205/75-15	
46	2	2	600.281	WHEEL ASSY	
47	1	1	220.378	LOCK SPRING	
48	1	1	210.981	RATCHET LINK	
49	4	4	220.208	SHIM $\phi$ 30,5-50x6	
50	2	2	610.593	LOCK-NUT M30 X 1,5	
51	4	4	600.229	SPRING WASHER $\phi$ 8,5 DIN 127B	
52	4	4	600.757	SCREW M8 X 30 DIN 933 8.8	
53	1	1	220.260	RATCHET LINK, COMPLETE KIT	
54	2	2	250.409	HOSE SUPPORT	
55	4	4	631.711	GASKET	

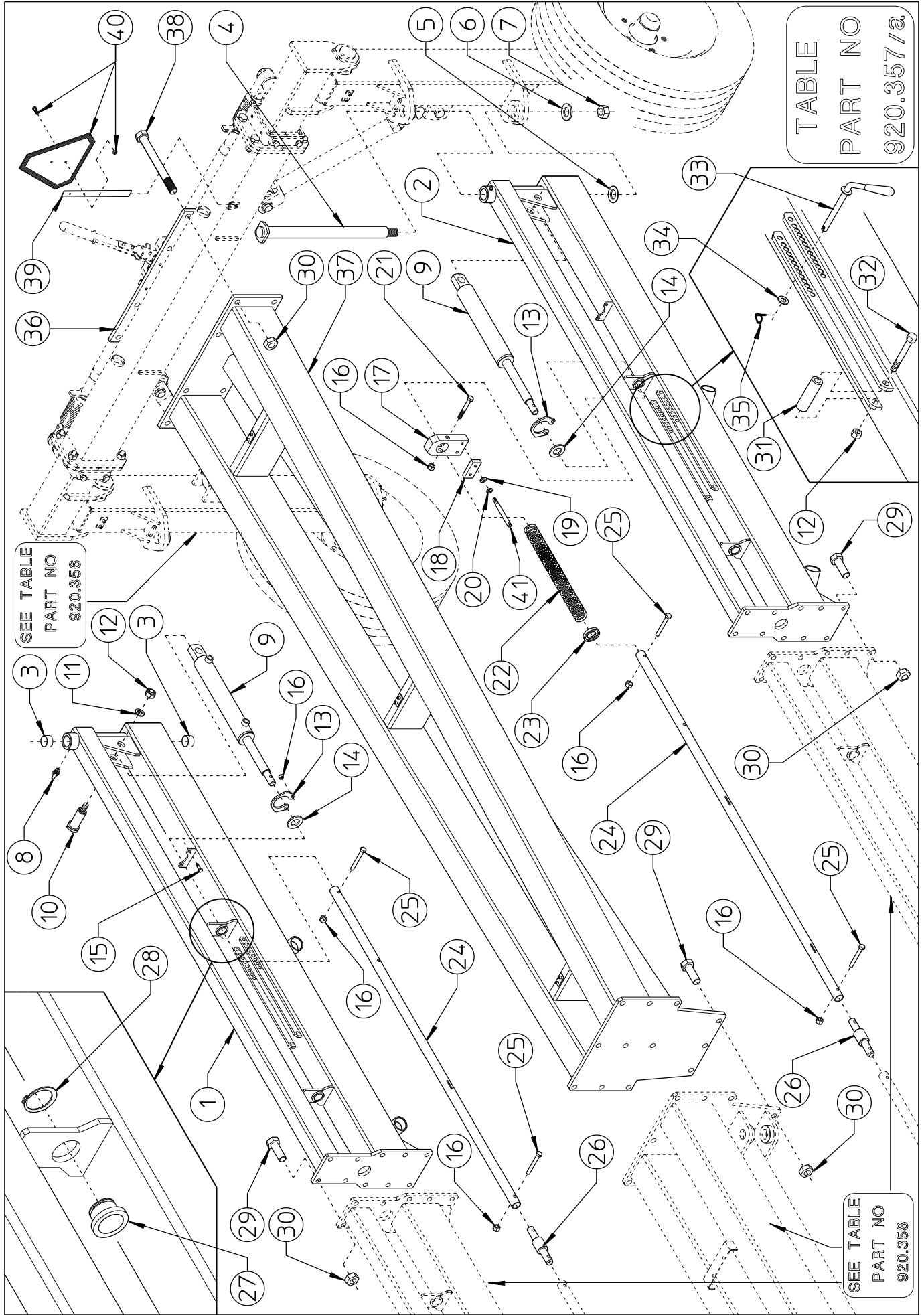


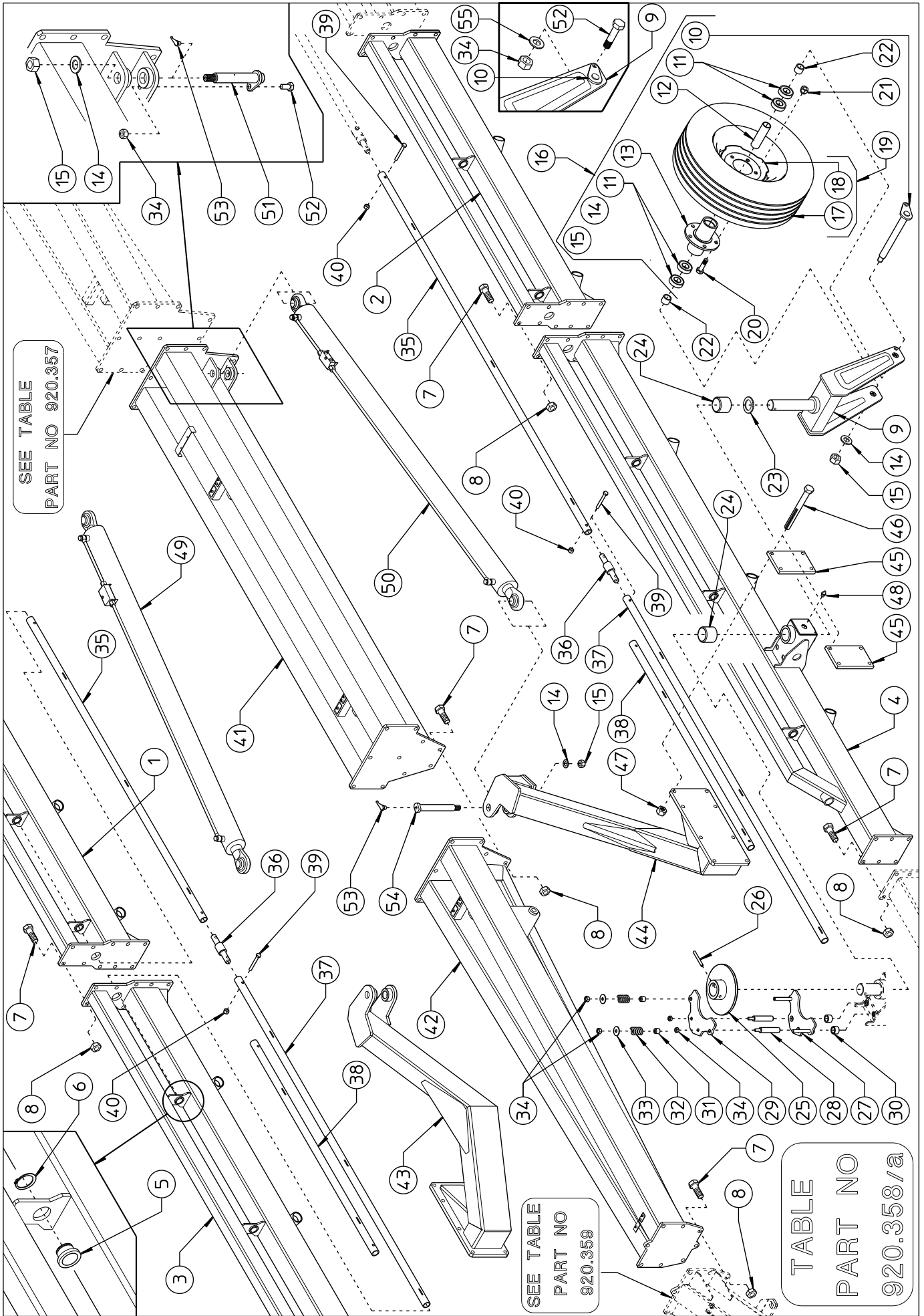
TABLE  
PART NO  
920.357/a

SEE TABLE  
PART NO  
920.356

SEE TABLE  
PART NO  
920.356

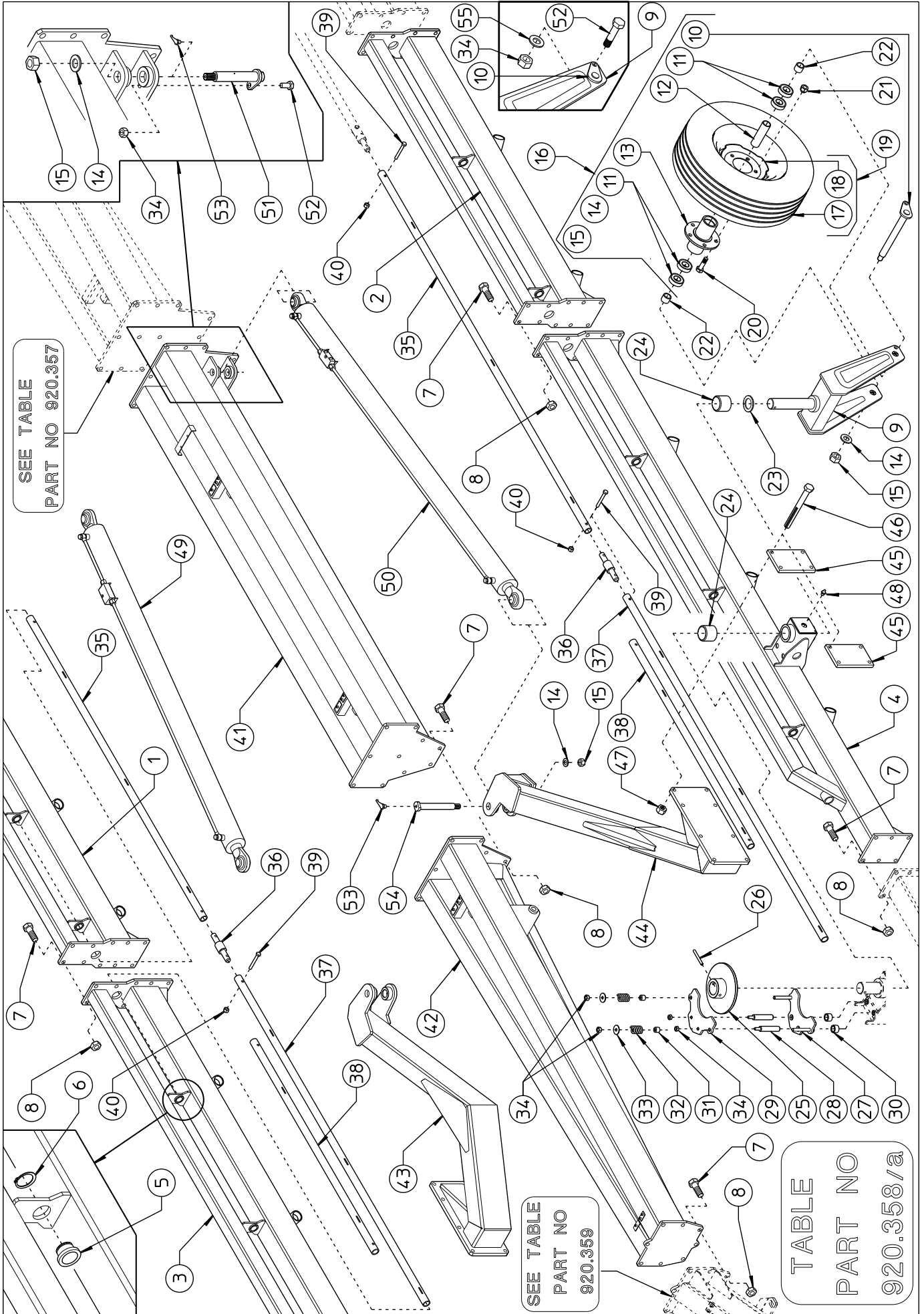
**TABLE PART NO 920.357/a - REAR SECTIONS AND DRAWBAR (14-16 WHEELS)**

<b>ITEM</b>	<b>Q.ty MKE/14</b>	<b>Q.ty MKE/16</b>	<b>SITREX PART NO</b>	<b>DESCRIPTION</b>	<b>NOTE</b>
1	1	1	250.224	RH SECTION	
2	1	1	250.225	LH SECTION	
3	4	4	640.024	BUSH $\phi$ 35-39x30	
4	2	2	250.294	PIN $\phi$ 35	
5	2	2	200.475	SHIM $\phi$ 35,2-51,8x1,5	
6	2	2	200.165	WASHER $\phi$ 23-50x4	
7	2	2	600.079	NUT M22 DIN 980	
8	2	2	600.034	GREASE NIPPLE M8	
9	2	2	250.238	CILINDER $\phi$ 50-60 ROD $\phi$ 30	
10	2	2	250.240	PIN $\phi$ 25	
11	2	2	600.845	WASHER $\phi$ 12-36x4	
12	4	4	600.077	NUT M12 DIN 980	
13	2	2	220.526	CYLINDER LOCKING PLATE	
14	2	2	250.241	SHIM $\phi$ 25,25-35x4	
15	4	4	600.702	SCREW M8x25 DIN 931 8.8	
16	10	10	600.076	NUT M8 DIN 980	
17	2	2	250.242	SUPPORT	
18	2	2	250.243	SLIDING	
19	4	4	600.115	WASHER $\phi$ 8,4 DIN 125A	
20	4	4	600.229	SPRING WASHER $\phi$ 8,5 DIN 127B	
21	2	2	610.525	SCREW M8x60 DIN 931 8.8	
22	2	2	250.244	SPRING $\phi$ 6 L.600-23,6"	
23	2	2	250.245	BUSH $\phi$ 34,5-50-60 x 20	
24	2	2	250.246	PIPE $\phi$ 33,7x4 L.1670-65,75"	
25	4	4	600.551	SCREW M8x45 DIN 931 8.8	
26	2	2	250.266	PIN $\phi$ 25-35	
27	4	4	250.250	NYLON BUSH $\phi$ 34,5	
28	4	4	630.957	SNAP RING E42 DIN 471	
29	32	32	610.167	SCREW M16x45 DIN 933 8.8	
30	40	40	600.080	NUT M16 DIN 980	
31	2	2	250.251	BUSH $\phi$ 12,5-20	
32	2	2	600.007	SCREW M12x85 DIN 931 8.8	
33	2	2	250.252	HANDLE	
34	2	2	600.089	WASHER $\phi$ 13 DIN 125A	
35	2	2	600.723	SPLIT PIN $\phi$ 4,5	
36	1	1	220.176	DRAWBAR COUNTERPLATE	
37	1	1	250.234	REAR DRAWBAR	
38	8	8	610.839	SCREW M16x165 DIN 931 8.8	
39	1	1	220.413	SUPPORT	
40	1	1	220.414	SMV EMBLEME ASAES276.7	
41	4	4	250.365	PIN $\phi$ 12	

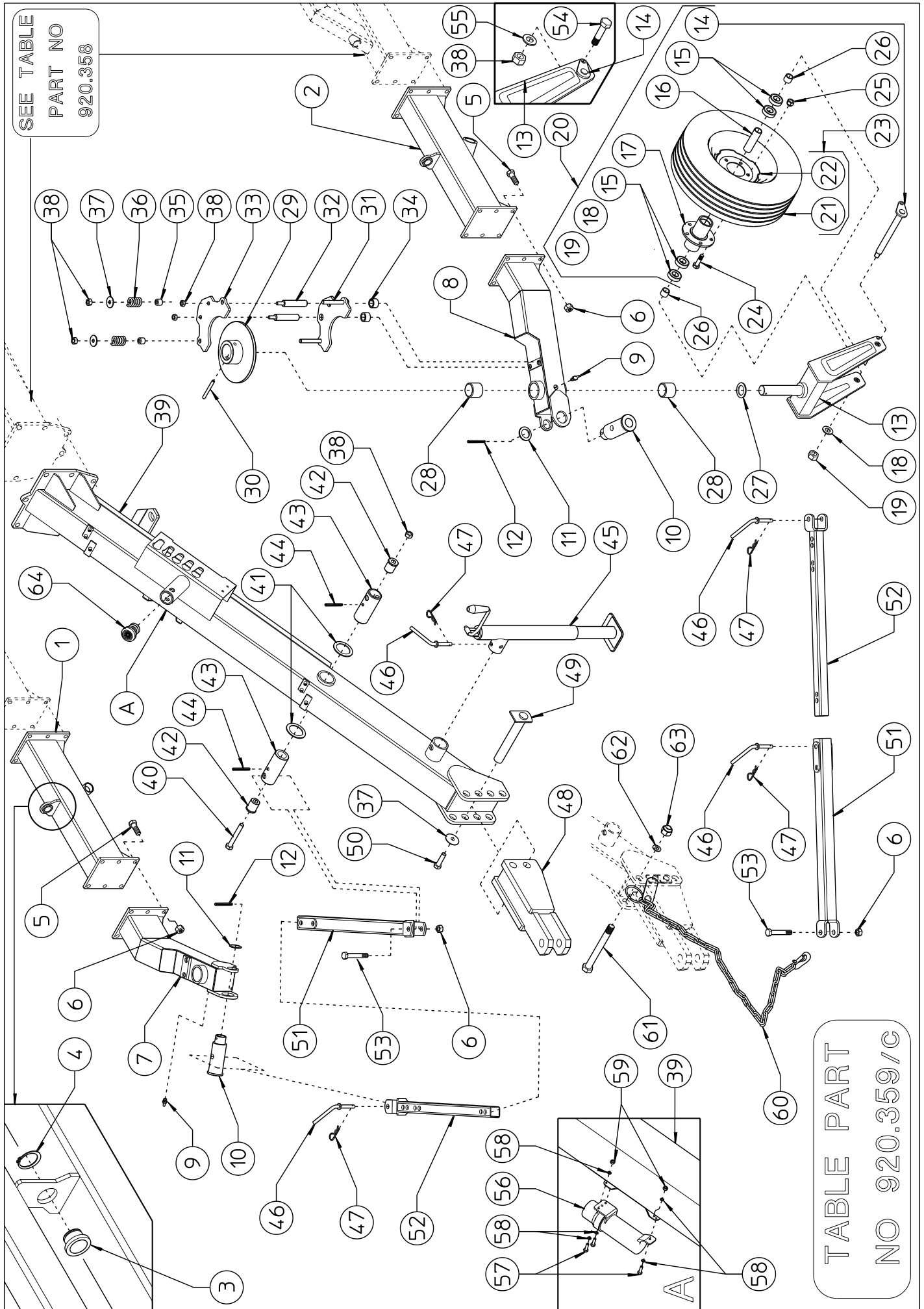




<b>TABLE PART NO 920.358/a - CENTER SECTIONS AND DRAWBAR (14-16 WHEELS)</b>					
<b>ITEM</b>	<b>Q.ty</b>	<b>Q.ty</b>	<b>SITREX</b>	<b>DESCRIPTION</b>	<b>NOTE</b>
	<b>MKE/14</b>	<b>MKE/16</b>	<b>PART NO</b>		
1	1	1	250.226	RH SECTION (2 WHEELS)	
2	1	1	250.227	LH SECTION (2 WHEELS)	
3	1	1	260.103	RH SECTION (3 WHEELS)	
4	1	1	260.104	LH SECTION (3 WHEELS)	
5	10	10	250.250	NYLON BUSH $\phi$ 34,5	
6	10	10	630.957	SNAP RING E42 DIN 471	
7	50	50	610.167	SCREW M16x45 DIN 933 8.8	
8	50	50	600.080	NUT M16 DIN 980	
9	2	2	250.253	WHEEL SUPPORT	
10	2	2	250.254	PIN $\phi$ 30	
11	8	8	600.609	BEARING 6206 2RS	
12	2	2	250.210	SPACER	
13	2	2	250.209	HUB	
14	6	6	200.165	WASHER $\phi$ 23-50x4	
15	6	6	600.079	NUT M22 DIN 980	
16	2	2	250.255	HUB ASSY	
17	2	2	600.303	TIRE 205-75	
18	2	2	600.304	WHEEL RIM 6Jx15	
19	2	2	600.281	COMPLETE WHEEL 205/75-R15	
20	10	10	600.144	SCREW M16x1,5 x 40 DIN 961	
21	10	10	600.289	NUT M16x1,5	
22	4	4	210.170	SPACER	
23	2	2	210.179	SHIM $\phi$ 50-75x5	
24	4	4	200.199	NYLON BUSH $\phi$ 50-60x50	
25	2	2	200.025	BRAKE FLANGE	
26	2	2	600.033	SPRING PIN $\phi$ 10x80 DIN 1481	
27	2	2	260.083	BRAKE COUNTERPLATE	
28	4	4	260.092	PIN $\phi$ 20-M12	
29	2	2	260.082	BRAKE PLATE	
30	4	4	260.091	SHIM $\phi$ 21-30x10	



<b>TABLE PART NO 920.358/a - CENTER SECTIONS AND DRAWBAR (14-16 WHEELS)</b>					
<b>ITEM</b>	<b>Q.ty</b>	<b>Q.ty</b>	<b>SITREX</b>	<b>DESCRIPTION</b>	<b>NOTE</b>
	<b>MKE/14</b>	<b>MKE/16</b>	<b>PART NO</b>		
31	4	4	250.259	SPACER	
32	4	4	200.044	SPRING $\phi 5-\phi 30 \times 45$	
33	4	4	600.845	WASHER $\phi 12-36 \times 4$	
34	12	12	600.077	NUT M12 DIN 980	
35	2	2	250.247	PIPE $\phi 33,7$ L.2515-99"	
36	2	2	250.266	PIN $\phi 25-35$	
37	*	2	250.248	PIPE $\phi 33,7$ L.2415-95,08" (MK16 only)	
38	2	*	250.246	PIPE $\phi 33,7$ L.1670-65,75" (MK14 only)	
39	6	6	600.551	SCREW M8x45 DIN 931 8.8	
40	6	6	600.076	NUT M8 DIN 980	
41	1	1	250.235	DRAWBAR	
42	1	1	250.236	DRAWBAR	
43	1	1	250.260	RH ARM	
44	1	1	250.261	LH ARM	
45	4	4	250.262	COUNTERPLATE	
46	16	16	610.612	SCREW M14x140 DIN 931 8.8	
47	16	16	600.075	NUT M14 DIN 980	
48	2	2	600.034	GREASE NIPPLE M8	
49	1	1	250.286	RH CYLINDER WITH VALVE	
50	1	1	250.287	LH CYLINDER WITH VALVE	
51	2	2	250.264	PIN $\phi 30$	
52	4	4	600.616	SCREW M12x35 DIN 933 8.8	
53	4	4	600.968	GREASE NIPPLE M6x45°	
54	2	2	250.265	PIN $\phi 30$	
55	2	2	600.089	WASHER $\phi 13$ DIN 125A	



SEE TABLE  
PART NO  
920.358

TABLE PART  
NO 920.359/C

**TABLE PART NO 920.359/c - FRONT SECTIONS AND DRAWBAR (14-16 WHEELS)**

<b>ITEM</b>	<b>Q.ty MKE/14</b>	<b>Q.ty MKE/16</b>	<b>SITREX PART NO</b>	<b>DESCRIPTION</b>	<b>NOTE</b>
1	*	1	250.230	RH SECTION (1 WHEEL)	
2	*	1	250.231	LH SECTION (1 WHEEL)	
3	*	2	250.250	NYLON BUSH $\phi$ 34,5	
4	*	2	630.957	SNAP RING E42 DIN 471	
5	12	12	610.167	SCREW M16x45 DIN 933 8.8	
6	14	14	600.080	NUT M16 DIN 980	
7	1	1	260.105	RH WHEEL SUPPORT	
8	1	1	260.106	LH WHEEL SUPPORT	
9	2	2	600.034	GREASE NIPPLE M8	
10	2	2	250.267	BUSHING	
11	2	2	250.268	SHIM $\phi$ 39-50x3	
12	2	2	600.027	SPRING PIN $\phi$ 8x50 DIN 1481	
13	2	2	250.253	WHEEL SUPPORT	
14	2	2	250.254	PIN $\phi$ 30	
15	8	8	600.609	BEARING 6206 2RS	
16	2	2	250.210	SPACER	
17	2	2	250.209	HUB	
18	2	2	200.165	WASHER $\phi$ 23-50x4	
19	2	2	600.079	NUT M22 DIN 980	
20	2	2	250.255	HUB ASSY	
21	2	2	600.303	TIRE 205-75	
22	2	2	600.304	WHEEL RIM 6Jx15	
23	2	2	600.281	COMPLETE WHEEL 205/75-R15	
24	10	10	600.144	SCREW M16x1,5 x 40 DIN 961	
25	10	10	600.289	NUT M16x1,5	
26	4	4	210.170	SPACER	
27	2	2	210.179	SHIM $\phi$ 50-75x5	
28	4	4	200.199	NYLON BUSH $\phi$ 50-60x50	
29	2	2	200.025	BRAKE FLANGE	
30	2	2	600.033	SPRING PIN $\phi$ 10x80 DIN 1481	

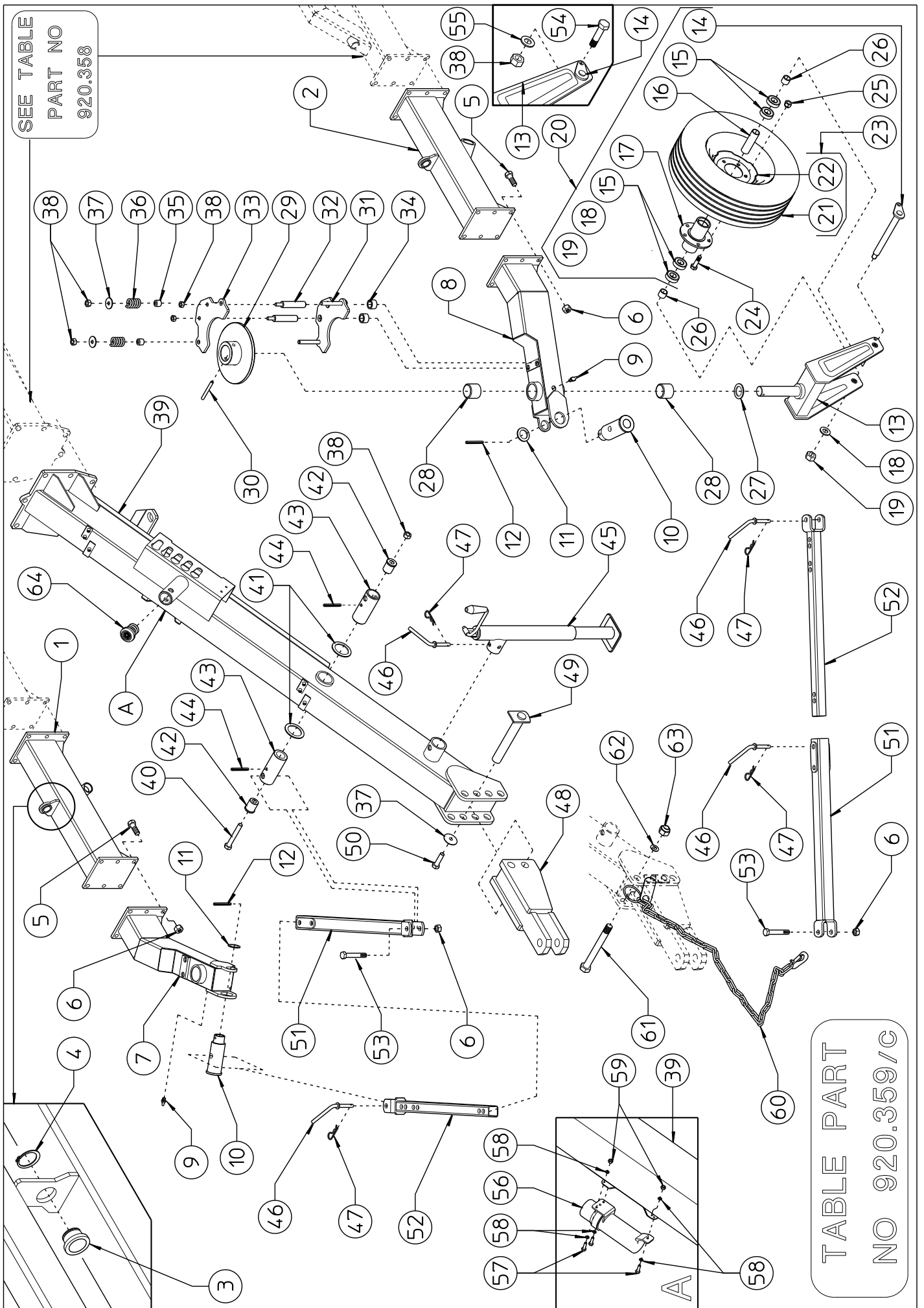
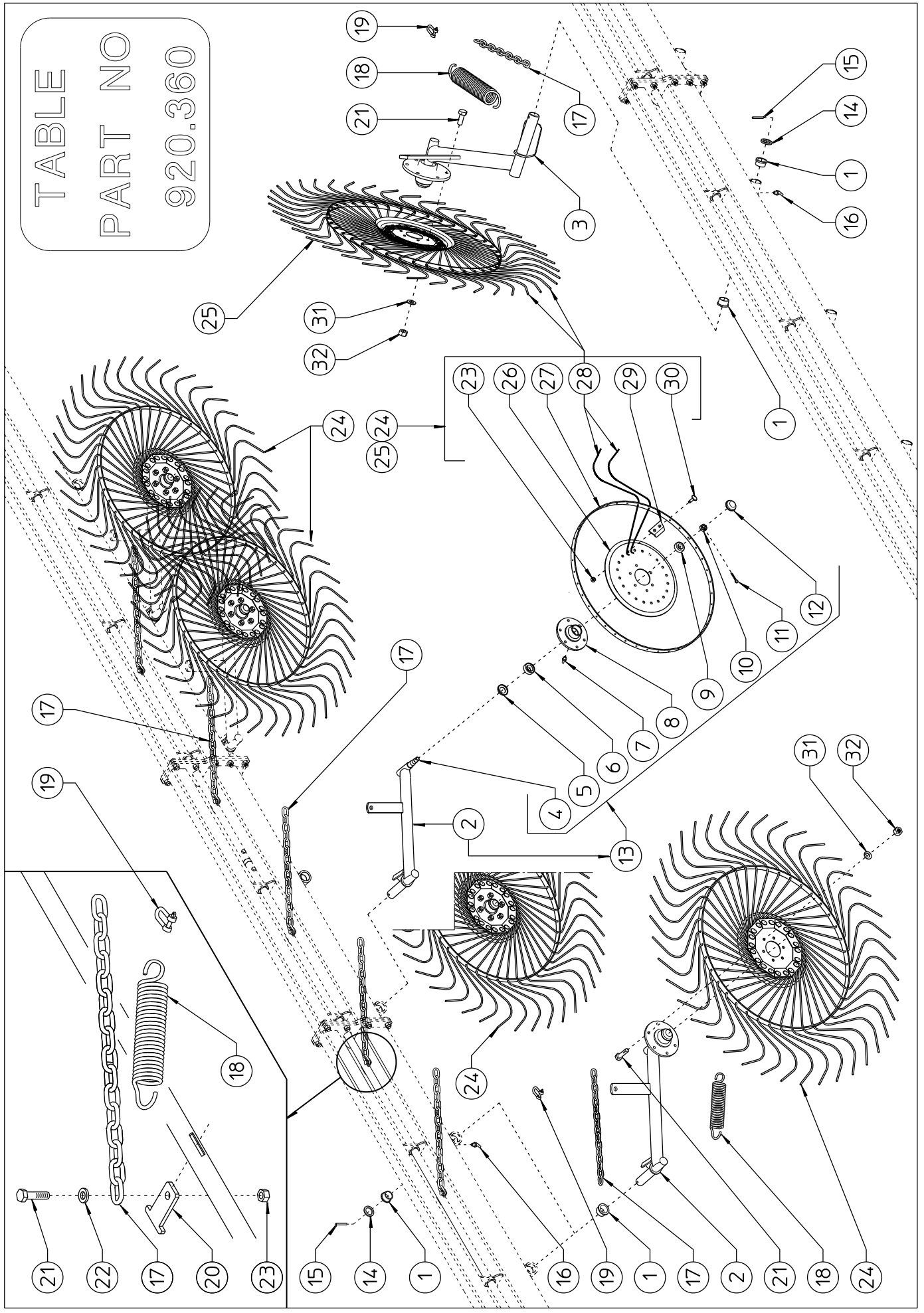


TABLE PART NO 920.359/c - FRONT SECTIONS AND DRAWBAR (14-16 WHEELS)					
ITEM	Q.ty MKE/14	Q.ty MKE/16	SITREX PART NO	DESCRIPTION	NOTE
31	2	2	260.083	BRAKE COUNTERPLATE	
32	4	4	260.092	PIN $\phi$ 20-M12	
33	2	2	260.082	BRAKE PLATE	
34	4	4	260.091	SHIM $\phi$ 21-30x10	
35	4	4	250.259	SPACER	
36	4	4	200.044	SPRING $\phi$ 5- $\phi$ 30x45	
37	6	6	600.845	WASHER $\phi$ 12-36x4	
38	11	11	600.077	NUT M12 DIN 980	
39	1	1	250.237	FRONT DRAWBAR	
40	1	1	610.516	SCREW M12x100 DIN 931 8.8	
41	2	2	250.126	SHIM $\phi$ 50,5-70x3	
42	2	2	250.269	BUSHING	
43	2	2	250.270	BUSHING	
44	2	2	600.447	SPRING PIN $\phi$ 8x70 DIN 1481 PLATED	
45	1	1	220.166	PARKING STAND	
46	5	5	200.222	PIN $\phi$ 15	
47	5	5	600.019	HAIRPIN $\phi$ 3	
48	1	1	250.271	TRACTOR HITCH	
49	2	2	200.828	PIN $\phi$ 25	
50	2	2	600.770	SCREW M12x20 DIN 933 8.8	
51	2	2	250.272	OUTER ARM	
52	2	2	250.273	INNER ARM	
53	2	2	610.872	SCREW M16x90 DIN 931 8.8	
54	2	2	600.616	SCREW M12x35 DIN 933 8.8	
55	2	2	600.089	WASHER $\phi$ 13 DIN 125A	
56	1	1	230.457	CANISTER	
57	3	3	630.003	SCREW M6x20 DIN 933 8.8	
58	6	6	600.135	WASHER $\phi$ 6,6-18x2	
59	3	3	600.472	NUT M6 DIN 980	
60	1	1	220.500	SAFETY CHAIN	
61	1	1	620.019	SCREW M22x150 DIN 931 8.8	
62	1	1	600.214	SPRING WASHER $\phi$ 23 similar to DIN 127 B	
63	1	1	600.200	NUT M22 DIN 934	
64	1	1	610.790	PLUG	

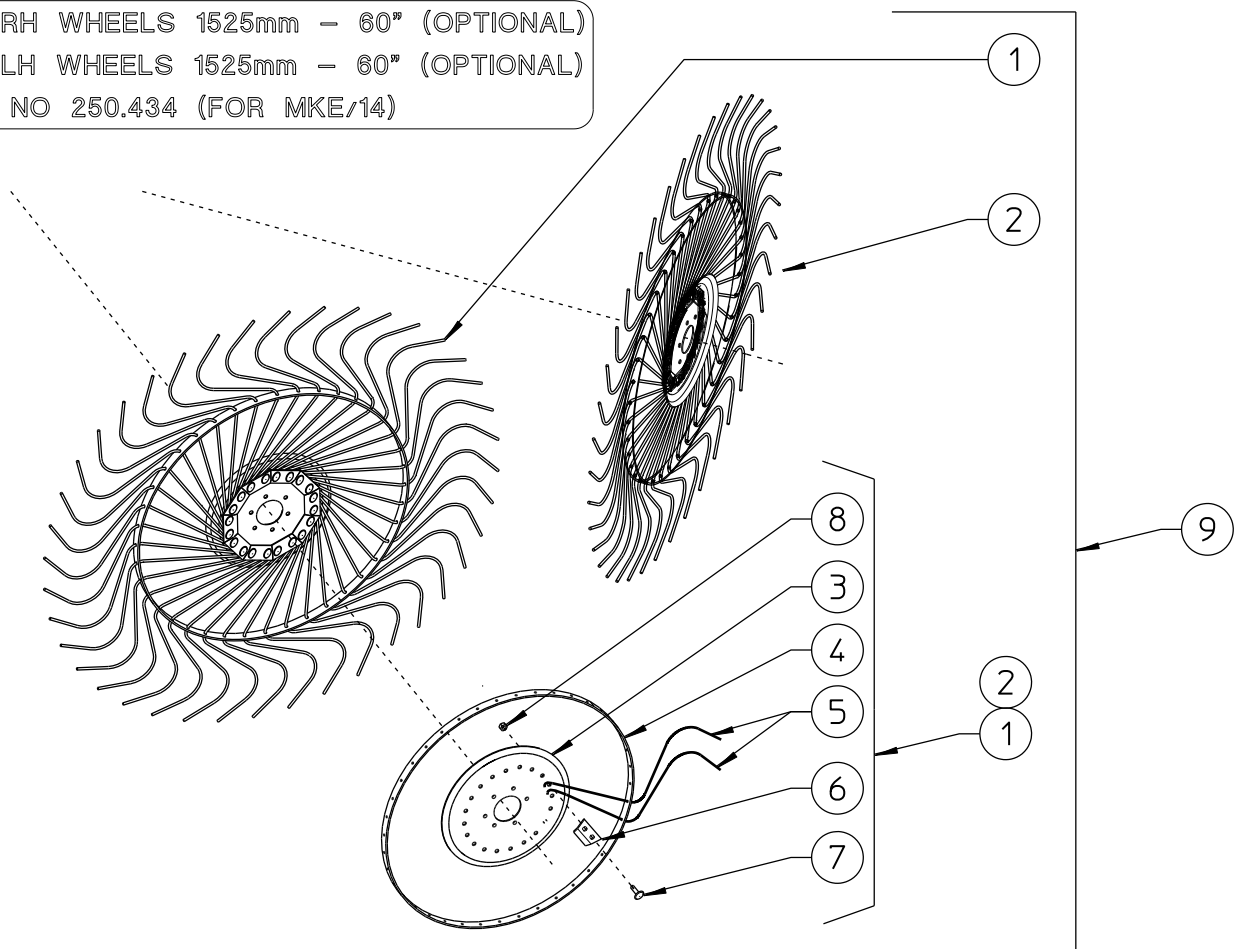
TABLE  
PART NO  
920.360



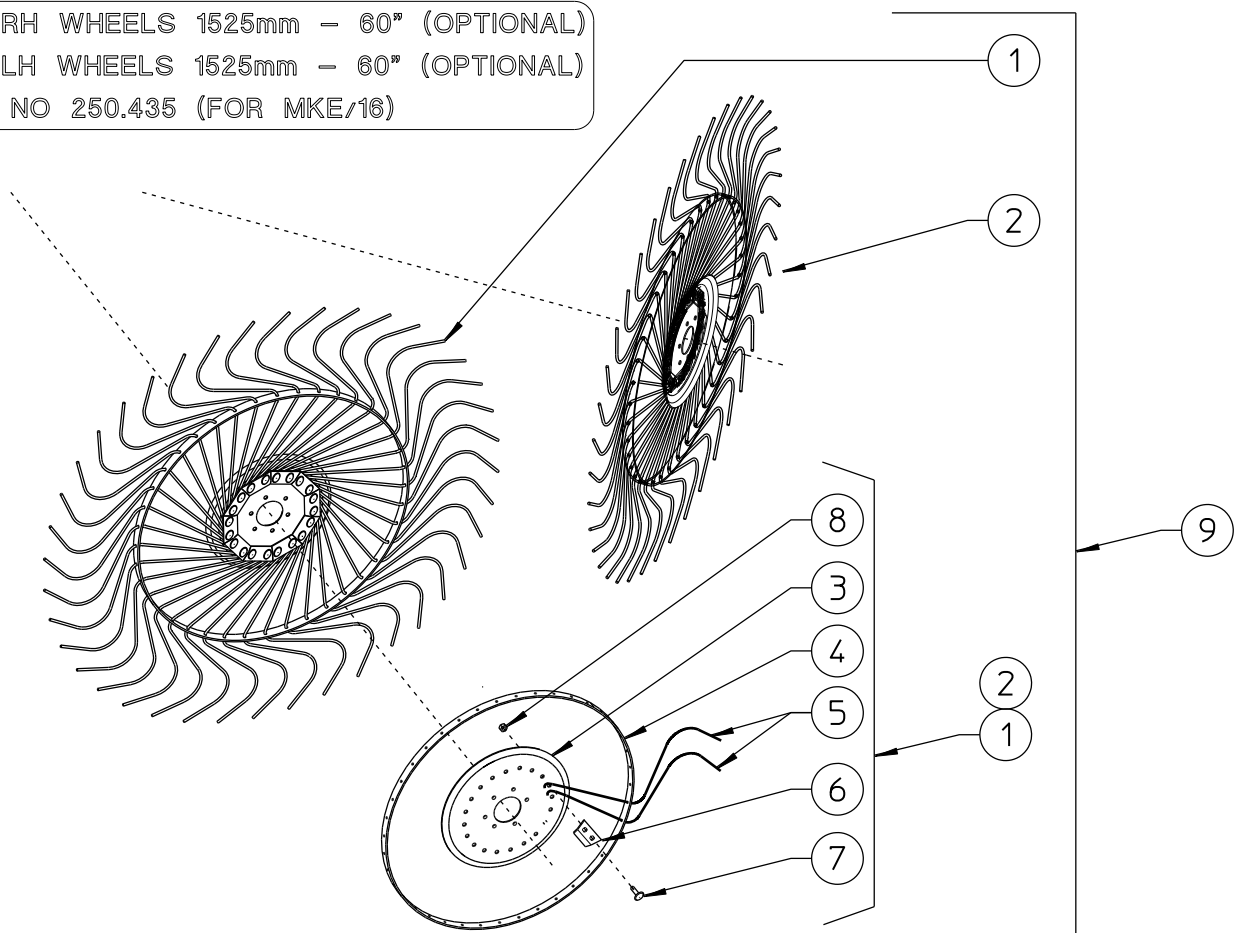


<b>TABLE PART NO 920.360 - ARMS, WHEELS 55" AND ACCESORIES (14-16 WHEELS)</b>					
<b>ITEM</b>	<b>Q.ty MKE/14</b>	<b>Q.ty MKE/16</b>	<b>SITREX PART NO</b>	<b>DESCRIPTION</b>	<b>NOTE</b>
1	28	32	200.029	BUSHING	
2	7	8	250.280	RH ARMS	
3	7	8	250.281	LH ARMS	
4	14	16	205.277	PIN	
5	14	16	600.011	DUST COVER	
6	14	16	600.012	BEARING 30205	
7	14	16	600.034	GREASE NIPPLE M8	
8	14	16	600.013	HUB	
9	14	16	600.014	BEARING 30204	
10	14	16	600.015	SLOTTED NUT M18x1,5	
11	14	16	600.301	SPLIT PIN $\phi$ 3x30 DIN 94	
12	14	16	600.016	CAP	
13	14	16	205.041	HUB ASSY	
14	14	16	200.028	WASHER $\phi$ 35-50x5	
15	14	16	600.027	SPLIT PIN $\phi$ 8x50 DIN 1481	
16	14	16	600.968	GREASE NIPPLE M6x45°	
17	14	16	250.282	CHAIINE	
18	14	16	200.046		
19	14	16	610.317	"D" SACKLES	
20	14	16	250.283	SUPPORT	
21	98	112	600.006	SCREW M10x25 DIN 933 8.8	
22	14	16	620.250	WASHER $\phi$ 11-30x2,5 UNI 6593	
23	294	336	600.029	NUT M10 DIN 980	
24	7	8	210.180	RH FINGER WHEEL 1400mm – 55"	
25	7	8	210.181	LH FINGER WHEEL 1400mm – 55"	
26	14	16	200.010	FLANGE	
27	14	16	200.009	RIM	
28	560	640	210.621	TINE $\phi$ 7	
29	140	160	200.012	TINE CLAMP	
30	280	320	600.005	SCREW M10x25 DIN 603	
31	84	96	600.024	SPRING WASHER $\phi$ 10,5 DIN 127B	
32	84	96	600.010	NUT M10 DIN 934	

N° 7 RH WHEELS 1525mm - 60" (OPTIONAL)  
 N° 7 LH WHEELS 1525mm - 60" (OPTIONAL)  
 PART NO 250.434 (FOR MKE/14)



N° 8 RH WHEELS 1525mm - 60" (OPTIONAL)  
 N° 8 LH WHEELS 1525mm - 60" (OPTIONAL)  
 PART NO 250.435 (FOR MKE/16)



RAKE WHEELS 1525mm - 60" OPTIONAL KIT FOR MKE/14			
ITEM	Q.ty	PART NO	DESCRIPTION
1	7	230.279	RH FINGER WHEEL 60"
2	7	230.280	LH FINGER WHEEL 60"
3	14	230.338	FLANGE
4	14	230.326	RIM
5	560	230.327	TINE $\phi$ 7,5
6	140	200.012	TINE CLAMP
7	280	600.010	SCREW M10x25 DIN 603
8	280	600.029	NUT M10 DIN 980
9	1	250.434	RAKE WHEELS KIT 60" FOR MKE/14 OPTIONAL

RAKE WHEELS 1525mm - 60" OPTIONAL KIT FOR MKE/16			
ITEM	Q.ty	PART NO	DESCRIPTION
1	8	230.279	RH FINGER WHEEL 60"
2	8	230.280	LH FINGER WHEEL 60"
3	16	230.338	FLANGE
4	16	230.326	RIM
5	640	230.327	TINE $\phi$ 7,5
6	160	200.012	TINE CLAMP
7	320	600.010	SCREW M10x25 DIN 603
8	320	600.029	NUT M10 DIN 980
9	1	250.435	RAKE WHEELS KIT 60" FOR MKE/16 OPTIONAL

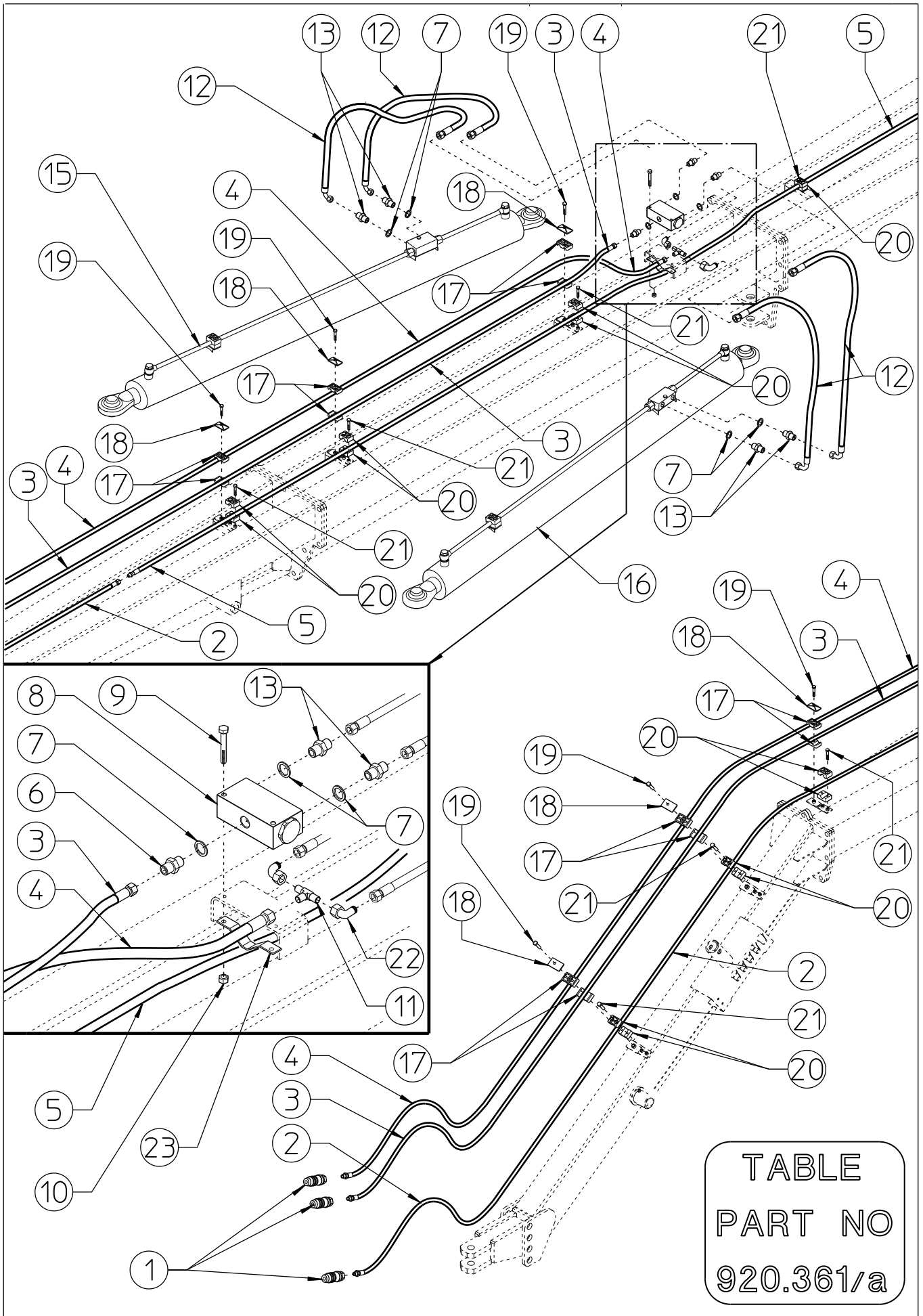


TABLE PART NO 920.361/a - FRONT HYDRAULIC COMPONENTS (FRONT) (14-16 WHEELS)					
ITEM	Q.ty MKE/14	Q.ty MKE/16	SITREX PART NO	DESCRIPTION	NOTE
1	3	3	620.329	RAPID COUPLINGS 1/2" NPTM	
2	1	1	640.032	HOSE 3/8" L.4550-179,13" 1/2" NPTF- M JIC 3/4"	
3	1	1	640.040	HOSE 1/2" L.7750-305,12" 1/2" NPTF- F JIC 7/8"	
4	1	1	640.041	HOSE 1/2" L.7850-309,06" 1/2" NPTF- F JIC 3/4"	
5	1	1	640.042	HOSE 3/8" L.6700-263,78" M JIC 3/4" - F JIC 3/4"	
6	1	1	640.034	NIPPLE JIC 7/8" - 3/8" GAS	
7	7	7	620.452	WASHER $\phi$ 3/8" BONDED	
8	1	1	600.974	FLOW DIVIDER 3/8"	
9	2	2	600.970	SCREW M6x60 DIN 931	
10	2	2	600.472	NUT M6 DIN 980	
11	1	1	640.036	"T" FITTING - MALE JIC 3/4"	
12	4	4	640.038	HOSE 3/8" L.750-29,53" F JIC 3/4" - F90° JIC 3/4"	
13	6	6	640.035	NIPPLE 3/8" GAS - JIC 3/4"	
14	DELETED				
15	1	1	250.286	RH CYLINDER $\phi$ 80-50 WITH VALVE	
16	1	1	250.287	LH CYLINDER $\phi$ 80-50 WITH VALVE	
17	12	12	610.041	DOUBLE HOSE COLLAR $\phi$ 22-22	
18	6	6	610.043	LOCK	
19	6	6	610.044	SCREW M8x45 DIN 933	
20	14	14	610.035	HOSE COLLAR $\phi$ 18	
21	14	14	610.037	SCREW M6x25 DIN 912	
22	2	2	640.057	FITTING 90° M3/4" JIC – F3/4" JIC	
23	1	1	250.366	HOSE SUPPORT	

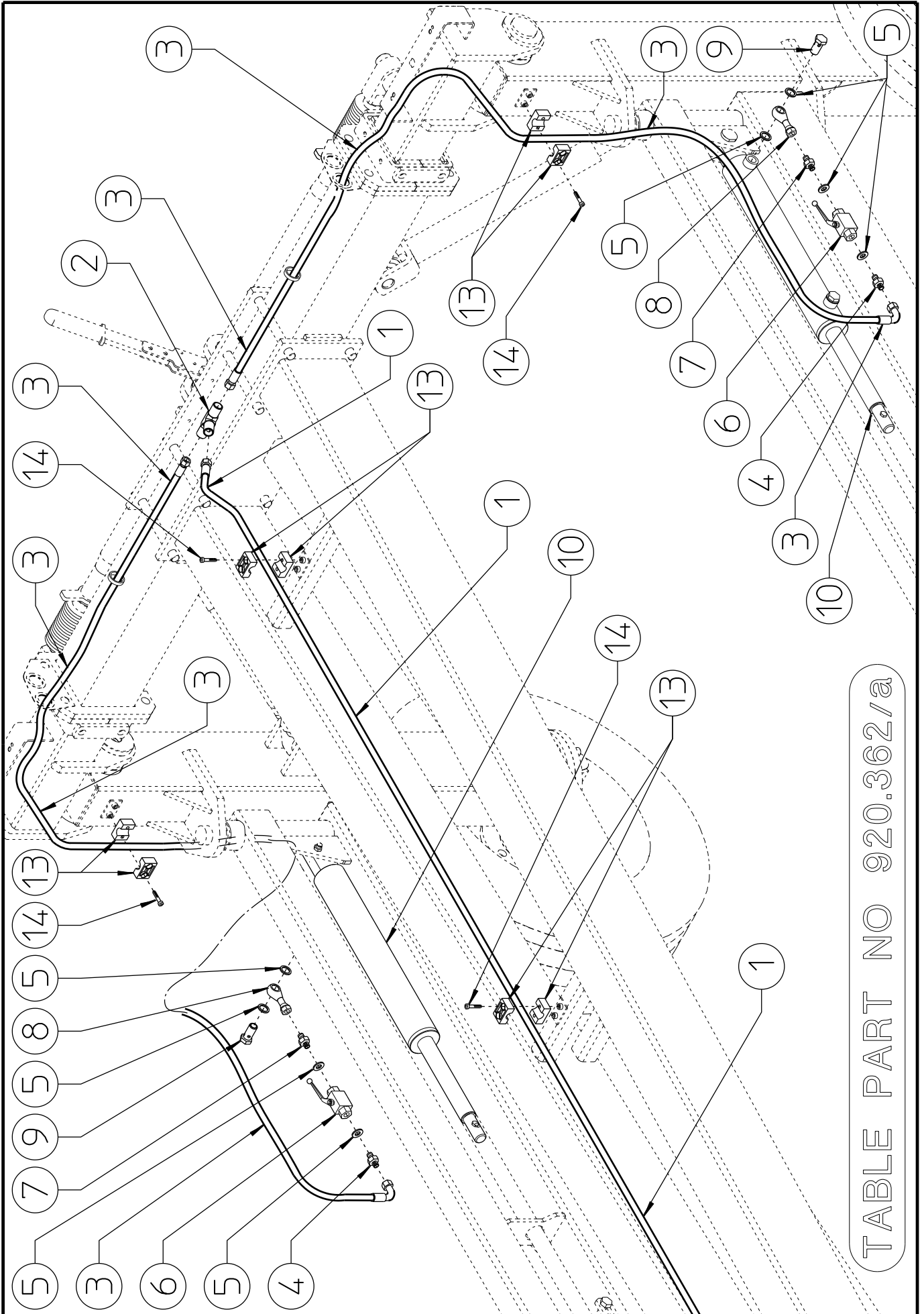
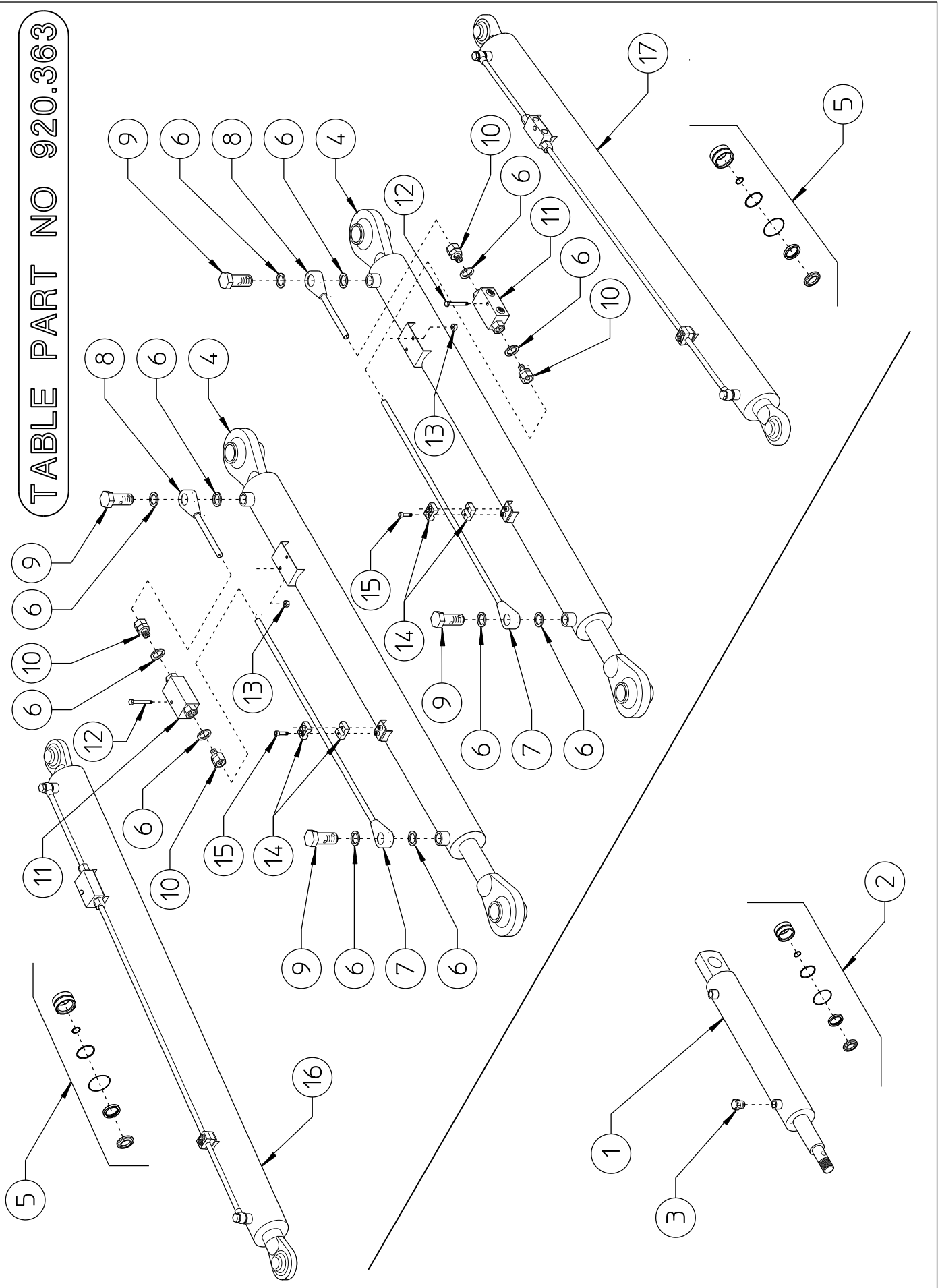


TABLE PART NO 920.362/a

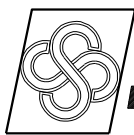
<b>TABLE PART NO 920.362/a - FRONT HYDRAULIC COMPONENTS (REAR PART) (14-16 WHEELS)</b>					
<b>ITEM</b>	<b>Q.ty</b>	<b>Q.ty</b>	<b>SITREX</b>	<b>DESCRIPTION</b>	<b>NOTE</b>
	<b>MKE/14</b>	<b>MKE/16</b>	<b>PART NO</b>		
1	1	1	640.042	HOSE 3/8" L.6700-263,78" M JIC 3/4" - F JIC 3/4"	
2	1	1	640.036	"T" FITTING - MALE JIC 3/4"	
3	2	2	640.063	HOSE 3/8" L.1840-72.44" F JIC 3/4" - F90° JIC 3/4"	
4	2	2	640.035	NIPPLE 3/8" GAS - JIC 3/4"	
5	8	8	620.452	WASHER ø3/8" BONDED	
6	2	2	610.002	VALVE 3/8"	
7	2	2	600.270	NIPPLE 3/8" GAS - 3/8"GAS	
8	2	2	630.315	FITTING BANJO 3/8"	
9	2	2	600.040	SCREW 3/8"	
10	2	2	250.238	CYLINDER ø50-30	
11				DELETED	
12				DELETED	
13	8	8	610.035	HOSE COLLAR ø18	
14	8	8	610.037	SCREW M6x25 DIN 912	

TABLE PART NO 920.363





<b>TABLE PART NO 920.363 - CYLINDER WITH VALVE AND ACCESORIES (14-16 WHEELS)</b>					
<b>ITEM</b>	<b>Q.ty</b> <b>MKE/14</b>	<b>Q.ty</b> <b>MKE/16</b>	<b>SITREX</b> <b>PART NO</b>	<b>DESCRIPTION</b>	<b>NOTE</b>
1	2	2	250.238	CYLINDER ø50-30	
2	2	2	640.027	SET OF GASKET ø50-30	
3	2	2	620.012	PLUG 3/8"	
4	2	2	250.239	CYLINDER ø80-50	
5	2	2	640.029	SET OF GASKET ø80-50	
6	12	12	620.452	WASHER ø3/8" BONDED	
7	2	2	210.240	TUBE ø12 L.1500-59"	
8	2	2	210.194	TUBE ø12 L.200-7,87"	
9	4	4	600.040	SCREW ø3/8"	
10	4	4	610.469	FITTING 3/8"-ø12	
11	2	2	600.799	LOCK VALVE 3/8"	
12	2	2	600.869	SCREW M6x40 DIN 931	
13	2	2	600.472	NUT M6 DIN 980	
14	4	4	610.423	HOSE COLLAR ø12	
15	4	4	610.424	SCREW M6x20 DIN 912	
16	1	1	250.286	RH CYLINDER ø80-50 WITH VALVE	
17	1	1	250.287	LH CYLINDER ø80-50 WITH VALVE	



**sitrex**<sup>®</sup> AGRICULTURAL MACHINERY SpA

Zona Industriale-Viale Grecia, 8  
06018 TRESTINA-(Perugia)-ITALY  
Tel. +39.075.8540021-Telefax +39.075.8540523  
e-mail: sitrex@sitrex.it www.sitrex.com

